



# PRESSURE

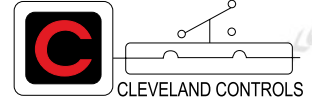
## ADJUSTABLE DIFFERENTIAL PRESSURE SWITCH KIT NS2-0000-02

### DESCRIPTION

The economical **Cleveland Controls Model NS2 Adjustable Differential Pressure Switch Kit** is designed for positive, negative, or differential pressure monitoring with actuation on pressure rise or fall. The set point range can be field configured between 0.10" w.c. to 10.0" w.c. using the appropriate spring included in the kit. The kit includes a switch with quick-connect terminals, 5 different springs to change the set point range, orifice plugs to restrict air flow, mounting brackets, a hex wrench, and instructions.

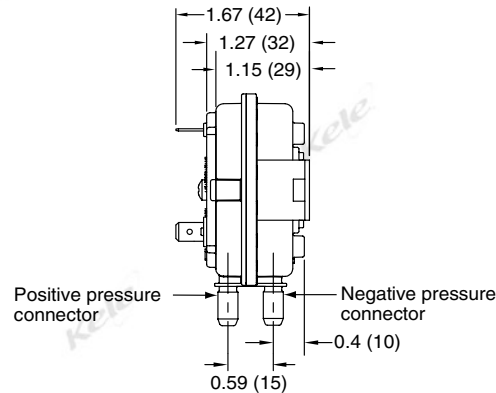
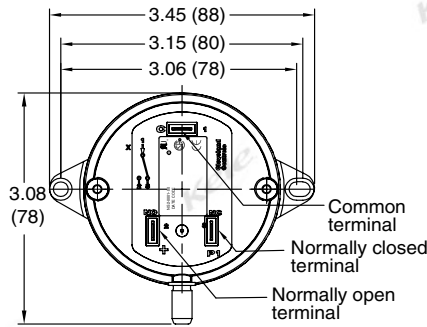
### FEATURES

- Five pressure ranges in one unit
- Field adjustable setpoint and setpoint range
- Actuated by pressure or vacuum
- SPDT switch



NS2-0000-02

### DIMENSIONS AND WIRING



### SPECIFICATIONS

<b>Relay Type</b>	SPDT (Silver plated)	<b>Overpressure (Burst)</b>	14" WC (3.5kPa)
<b>Relay Rating</b>	1.2A @ 24 VAC/VDC, 125 VA @ 120VAC	<b>Max Operating Pressure (Proof)</b>	14" WC (3.5kPa)
<b>Setpoint (SP)</b>	Adjustable w/spring and 7/32" hex fine adj.	<b>Operating Temperature</b>	-40° to 190°F (-40 to 88°C)
<b>Spring</b>		<b>Operating Humidity</b>	10 to 90% Non-condensing
<b>Black</b>	0.1 to 0.3" WC	<b>Wetted Parts</b>	Silicone
<b>Neutral</b>	0.3 to 0.9" WC	<b>Media Compatibility</b>	Inert dry air
<b>Yellow</b>	0.9 to 2.5" WC	<b>Process Connection</b>	1/4" Nipple for 3/8" tubing
<b>Red</b>	2.5 to 5.0" WC	<b>Wiring Terminations</b>	3 Spade terminals, 1/4" x 0.032
<b>Blue</b>	5.0 to 10.0" WC	<b>Mounting</b>	Vertical, 2 tabs w/Holes 0.19"(0.5cm)
<b>Differential Progressive</b>	2%-5% of max SP spring	<b>Enclosure Rating</b>	Glass-filled polycarbonate, NEMA 1
<b>Fixed progressive</b>	0.02" to 0.8" WC over SP range	<b>Dimensions</b>	3.45"W x 3.08"H x 1.67"D, (8.8 x 7.8 x 4.2 cm)
<b>Reset Automatic</b>	Reset by differential	<b>Weight</b>	0.25 lb (0.11 Kg)
<b>Sensor Type</b>	Silicone Diaphragm	<b>Approvals</b>	CE, CSA, UL File #MH6213
<b>Operating Pressure Range</b>	0.1 to 10" WC	<b>Warranty</b>	1 year

### ORDERING INFORMATION

MODEL	DESCRIPTION
NS2-0000-02	Adjustable differential pressure switch kit